



Pharmacy Safe recipient of the Security Sales & Integration 2017 Technology Innovations Award



PROTECT YOUR ASSETS

PHARMACY SAFE

The Hamilton standard Pharmacy Safe is designed to fit underneath any standard height pharmacy counter, allowing it to easily replace a set of drawers or an empty space in existing fixtures.

IMPORTANT FEATURES



Total Weight: 300 lbs
Dimensions: H38" x W23.75" x D22"
inc. 4" base

FULLY CUSTOMIZABLE INTERIOR AND EXTERIOR



STANDARD SecuRam ProLogic L22 LOCK



1/2 INCH PRY PROOF STEEL FORM DOOR

DOOR

- ✓ Half inch formed steel door, recessed to prevent prying
- ✓ Heavy-duty welded hinges
- ✓ Dead Man Angle preventing door with being removed by knocking hinges off

BODY

- ✓ 11 Gauge solid steel body with reinforced frame including 1 inch walls in the front to obstruct attack
- ✓ Flexible interior with standard offering of six removable drawers, also available with dividers and shelves
- ✓ 34" of safe on top of a 4" base, bolted to the floor

FINISH

- ✓ Heavy-duty textured finish paint
- ✓ Standard colors are white, grey, and black but can be customized for a color match

LOCK

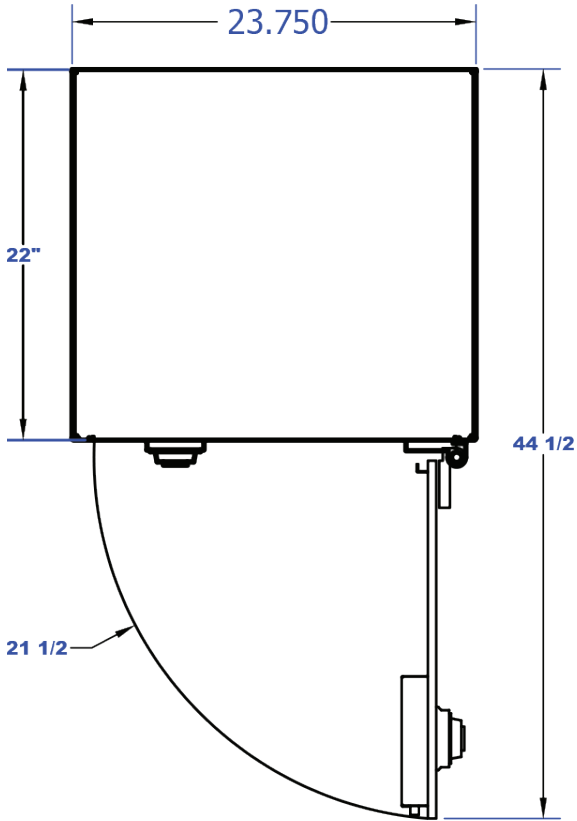
- ✓ Comes standard with SecuRam ProLogic L22 with time/date audit capability built into the lock screen
- ✓ UL Listed
- ✓ 2 manager codes and 28 user codes
- ✓ 5,000+ openings on 9-volt battery, which sends out a signal well before it needs to be replaced
- ✓ Time delay functionality 1-99 minutes, programmable opening window 1-15 minutes, time delay override

est. 1967

HAMILTON
CUSTOM MADE SECURITY

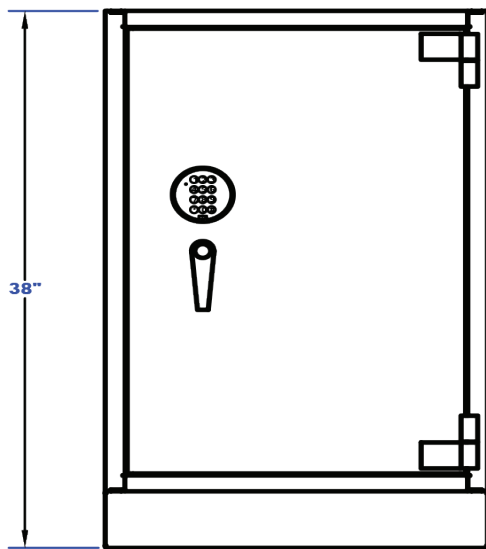
7775 Cooper Road
Cincinnati, OH 45242

513-874-3733
www.hamiltonsecuritysolutions.com

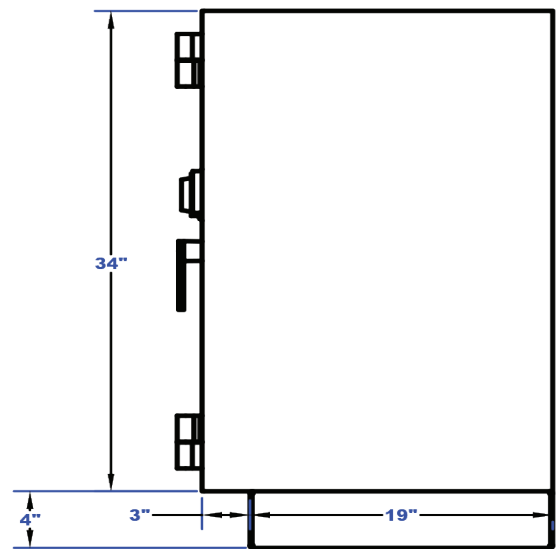


Designed to fit underneath standard size pharmacy counter, with the ability to be customized to any size and security level

PLAN VIEW



FRONT VIEW



SECTION VIEW

7775 Cooper Road
Cincinnati, OH 45242

est. 1967
HAMILTON
CUSTOM MADE SECURITY

513-874-3733
www.hamiltonsecuritysolutions.com